

*Fédération Internationale
de Pêche Sportive Mouche*

COMPETITION RULES

2017

2019

Table of contents

ARTICLE 1: INTRODUCTION	3
ARTICLE 2: GENERAL INFORMATION	3
ARTICLE 3: APPLICATIONS FOR CHAMPIONSHIPS AND THEIR AUTHORISATION	4
ARTICLE 4: CHAMPIONSHIP PROTOCOL.....	5
ARTICLE 5: MEMBER COUNTRY CHAMPIONSHIPS.....	5
ARTICLE 6: ORGANISATION OF CHAMPIONSHIPS	6
ARTICLE 7: COMPETITION RULES AND MODIFICATIONS.....	7
ARTICLE 8: MEDICAL AND INSURANCE COVER	7
ARTICLE 9: BANK FISHING COMPETITIONS.....	7
ARTICLE 10: BOAT FISHING COMPETITIONS.....	8
ARTICLE 11: DURATION OF EVENTS, SCORING AND PRACTICE SESSIONS	9
ARTICLE 12: WHO MAY PARTICIPATE	10
ARTICLE 13: TEAM REQUIREMENTS.....	10
ARTICLE 14: OBLIGATIONS OF COMPETITORS.....	11
ARTICLE 15: TEAM CAPTAINS	12
ARTICLE 16: JURY	12
ARTICLE 17: DUTIES, RESPONSIBILITIES AND POWERS OF THE JURY.....	13
ARTICLE 18: SECTOR JUDGES, GENERAL.....	13
ARTICLE 19: DUTIES AND RESPONSIBILITIES OF SECTOR JUDGES.....	13
ARTICLE 20: CONTROLLERS.....	14
ARTICLE 21: FIPS-MOUCHE INTERNATIONAL SUPERVISORS	15
ARTICLE 22: RANDOM DRAW PROCESS AND ASSIGNMENT OF BEATS AND BOATS.....	15
ARTICLE 23: CARE OF FISH CAUGHT	16
ARTICLE 24: COMPETITION BOATS.....	16
ARTICLE 25: ELIGIBLE FISH.....	17
ARTICLE 26: COMPETITION FLY RODS	17
ARTICLE 27: COMPETITION FLY LINES	17
ARTICLE 28: COMPETITION LEADERS	17
ARTICLE 29: COMPETITION FLIES.....	18
ARTICLE 30: LANDING NETS	19
ARTICLE 31: PROHIBITIONS.....	19
ARTICLE 32: LOST FISH	20
ARTICLE 33: AWARDING OF POINTS	20
ARTICLE 34: SESSION PLACINGS	20
ARTICLE 35: TEAM AND INDIVIDUAL POSITIONS.....	20
ARTICLE 36: POSTING OF RESULTS.....	21
ARTICLE 37: POSTED RESULTS AND OBJECTIONS	21
ARTICLE 38: FORMAL PROTESTS	22
ARTICLE 39: TITLES AND TROPHIES.....	22
ARTICLE 40: ANTI-DOPING REGULATIONS.....	23
ARTICLE 41: LANGUAGE OF THE ORIGINAL TEXT	23
ARTICLE 42: STATEMENT OF APPROVAL.....	23

BACKGROUND

The first World Fly Fishing Championship was held in 1981. This championship was held under the auspices of the International Confederation of Sport Fishing (CIPS), and administered by the International Federation of Fresh Water Sport Fishing (FIPS-Ed). The annual championships were administered by a Committee of FIPS-Ed until 1988. In 1989, the International Federation of Sport Fly Fishing (FIPS-Mouche) was founded in San Marino as an independent Federation within CIPS.

The original FIPS-Mouche Competition Rules were drawn up by the Presidential Board and the Technical Commission following the founding of FIPS-Mouche as part of CIPS in San Marino in 1989 and have been subsequently modified and approved by the FIPS-Mouche General Assembly. The Competition Rules are in place to ensure integrity, a code of ethics, and consistency in organising and conducting FIPS-Mouche championships.

These Competition Rules shall be interpreted in line with the FIPS-Mouche Statutes, and with the FIPS-Mouche Guidelines documents, approved by the FIPS-Mouche General Assembly.

The latest published version of FIPS-Mouche Competition Rules will apply during any championship. If there is any doubt or dispute over any aspect of the Competition Rules, they will be resolved by interpreting the “Spirit of the Rules”.

For convenience, the words "he" and "his" are used throughout this document as a gender-neutral term to include the words "she" and "her" respectively. The words championship, competition, and event may also be used interchangeably to mean the same term.

ARTICLE 1: INTRODUCTION

- 1.1. Since sport and competitive angling encompasses such diversity, specifically in the areas of awards and techniques, the Olympic Ideal is used to carry out the mission of FIPS-Mouche. As defined by FIPS-Mouche, “Competition Sport Fly Fishing” is angling among competitors, who are observing a standard approved set of rules with a conventional fly rod, fly reel, fly line, leader, and artificial flies for no financial reward.
- 1.2. Also, as with the Olympic Ideal, FIPS-Mouche Competition Sport Fly Fishing is a doping-free sport in order to promote health, fairness and equality for all competitors worldwide. The championships are designed to foster a spirit of good will and international friendship between all nations.

ARTICLE 2: GENERAL INFORMATION

- 2.1. Competitions may be organised for competitors of either sex, competing together or separately.
- 2.2. Competitions may take place on running or still water.
- 2.3. Competitions may be organised for different
 - geographical areas / zones as follows:

Area / Zone name	Description
WORLD	International competition of competitors nominated by Member Federations all over the world

EUROPEAN	International competition of competitors nominated by Member Federations geographically located on European continent
----------	---

- age / sex groups categories as follows:

Category A	SENIORS	Over 18 at any point during the year of competition
Category B	YOUTH	Ages 14–18 at any point during the year of competition
Category C	MASTERS	Over 50 at any point during the year of competition

Category	Definition
SENIORS	Over 18 at any point during the year of competition
YOUTH	Ages 14–18 at any point during the year of competition
MASTERS	Over 50 at any point during the year of competition
LADIES	Female over 18 at any point during the year of competition

2.4. These Competition Rules apply equally to all categories, and to ~~Regional Zonal~~ (i.e. European), World Championships, as well as to any other FIPS-Mouche Championship (Masters).

2.5. Each World Championship must include a Conservation Symposium.

2.6. From 2020 onwards:

- Senior, ~~and~~ Masters, and Ladies World championships take place in even years,
- ~~Regional Zonal~~ championships take place in odd years
- Youth World championships take place each year.

2.7. Championships within the same geographical area / zone might be organized as combined. In such a case they must be run on different sectors and evaluated separately.

ARTICLE 3: APPLICATIONS FOR CHAMPIONSHIPS AND THEIR AUTHORISATION

3.1. Members of FIPS-Mouche wishing to organise any FIPS-Mouche championship must present a written application to the FIPS-Mouche General Secretary at least four months prior to a FIPS-Mouche General Assembly.

3.2. The application must, as a minimum, contain proposals on the following points:

- Year, approximate date within the year, venue, championship waters and eligible species.
- Justification for the approximate date, venue and championship waters, including comments on the quality of the fishing.

- Fishing styles to be included (e.g. river, dry fly, small still water boat, bank fishing, wading, etc.).
- Duration of the championship.
- Estimated participation costs for competitors and guests.

The more detailed guidance on applications is included in the FIPS-Mouche Guidelines, approved by the General Assembly (published on the FIPS-Mouche website).

- 3.3. Each FIPS-Mouche championship must be authorised by the FIPS-Mouche General Assembly.
- 3.4. All Members must, when appointed to organise World or ~~regional~~ **Zonal** competitions, present a declaration to FIPS-Mouche Board which shall state that FIPS-Mouche Competition Rules and FIPS-Mouche Statutes will be applied and adhered to throughout the competition.
- 3.5. Each FIPS-Mouche championship must have as a minimum the following elements in its title: sequential number of championship; FIPS-Mouche; category (if not senior); geographic area/**zone** applicable; Fly fishing Championship (e.g. 13th FIPS-Mouche Youth World Fly Fishing Championship, Ireland).
- 3.6. A member of the FIPS-Mouche Presidential Board is required to visit the venue and competition waters preferably **at least** one year in advance in order to verify that they meet all the necessary conditions for a FIPS-Mouche championship. The in-country costs of this inspection will be borne by the Host Country.

ARTICLE 4: CHAMPIONSHIP PROTOCOL

- 4.1. All FIPS-Mouche authorised championships will be conducted in accordance with the Olympic ideal.
- 4.2. The flags of the participating countries must be flown throughout all championships.
- 4.3. All FIPS-Mouche World Championships (but not necessarily other championships) must have an opening ceremony with civic participation, at which all countries must be introduced, a statement made on the Olympic ideals and a declaration made of the opening of the games.
- 4.4. All FIPS-Mouche World Championships (but not necessarily other championships) must also have a closing ceremony, with civic participation, which will feature the presentation of the gold, silver and bronze medals to both the team and individual champions, followed by the declaration of the close of the games.
- 4.5. **Only** the national anthem of **the individual and teams gold** medal winners must be played **during** immediately after the **each** presentation. **Only the registered team members may be on the podium at this point in time. During the playing of the anthem the flags of bronze, silver and gold medals are raised.**

ARTICLE 5: MEMBER COUNTRY CHAMPIONSHIPS

- 5.1. Members of FIPS-Mouche are at liberty to sanction championships in their own countries.

ARTICLE 6: ORGANISATION OF CHAMPIONSHIPS

6.1. The organisation of a championship will be described in detail in the Championship Agreement signed by the Member and the Senior FIPS-Mouche Representative at the end of the Inspection visit. The Championship Agreement will be made publicly available on the FIPS-Mouche website.

6.2. The Host Country organisation is responsible for the following:

- a) Submitting the provisional budget for the event to the visiting member of the FIPS-Mouche Presidential Board at the time of the on-site visit. Template with a minimal required budget information is provided in FIPS-Mouche Guidelines.
- b) Building and executing an operational website for the championship.
- c) Appointing a suitably qualified and experienced International Organiser to manage the competition. This includes preparations for and running of the championship.
- d) Selecting and training sector judges and controllers who will uphold the Olympic ideal of fair and honourable sportsmanship and submitting, for the approval of the Presidential Board, a written summary of the arrangements for their selection, appointment and training. This document must be submitted three months before the start of the championship.
- e) Submission of an up-to-date budget for the event to the FIPS-Mouche Presidential Board at the time of the first announcement of participation cost for teams & competitors.
- f) Submission of a full accounts report of the event to the Presidential Board of FIPS-Mouche, not later than three months after the conclusion of the championship.
- g) Development and application of anti-doping regulations and testing for the championship (ARTICLE 40: refers). An agreement between the Host Country organisation and the anti-doping agency in the country of the championship, stating that anti-doping testing will be performed during the event according to ARTICLE 40: shall be presented to the Senior FIPS-Mouche Representative before the start of the championship. Failure to present such document will be escalated to CIPS Presidium for appropriate resolution.
- h) Appointing additional anglers who will fish the empty beats and boats to ensure that all beats and boats are fully occupied and fished during all sessions of the championship. Organisers must find a neutral as possible angler for this (i.e. angler from candidate FIPS-Mouche member, angler from neighbouring country, recreational angler from home country,...etc).
- i) Providing adequate and secure office space and location(s) for meetings & FIPS-Mouche business: I.E. FIPS-Mouche office for secure computer, conference room(s) for Captains' Meeting(s), Administrative Office for Registration of competitors, Office for International Organiser & host nation, etc.
- j) Providing food, transport and lodging at the competition site for all FIPS-Mouche personnel as required by the FIPS-Mouche Presidential Board. (see more in the Inspection agreement)
- k) Proper marking of all beats on all of the sectors, and if possible, safe places for spectators to follow the competition not disturbing the competitors.
- l) Providing the appropriate quality & quantity of scorecards (duplicate, self-copying FIPS-Mouche required form) for the championship.

- m) Providing means for distribution of current information on the championship to the team members and to the general public.
- n) The FIPS-Mouche draw and results computer program, installed and run on the password-protected computer shall be used to do the Championship draw and scoring. Entries shall be done by and under supervision of the FIPS-Mouche Board Member/s.
- o) Providing a list of all registrants during a championship to the FIPS-Mouche Representative present.
- p) Paying the CIPS championship fee and the FIPS-Mouche registration fee and taking into account the maximum participation fee for competitors, set by the General Assembly.
(now: € 1400 for Senior World championship, € 1200 for World Masters, Ladies and Regional Zonal championships, € 1000 for World Youth championships)

ARTICLE 7: COMPETITION RULES AND MODIFICATIONS

- 7.1. The latest published version of FIPS-Mouche rules will apply during a championship. In all championships authorised by FIPS-Mouche, these Competition Rules apply. Certain additions/enhancements/changes to the rules may be specified in Rule Modifications to take into account the laws, regulations, practices and particular needs of the Host Country.
- 7.2. Any changes arising from the application of Article 7.1. must be included in the Rule Modifications document.
- 7.3. A draft of the Rule Modifications document must be prepared during the visit of the Presidential Board Member and finalised within one month of the visit for submission to the Presidential Board.
- 7.4. The Presidential Board must review, modify if considered necessary and approve the Rule Modifications ideally not later than seven months prior to the event.
- 7.5. The General Secretary must send the Rule Modifications to all members within one month of their approval by the Presidential Board.
- 7.6. Last minute changes to the Rules Modifications may only be initiated by the International Organiser and the Senior FIPS-Mouche Representative present at the championship. Both parties should agree to the necessity of any last minute change. (i.e act of god, extreme water levels, safety, pollution, ...etc).

ARTICLE 8: MEDICAL AND INSURANCE COVER

- 8.1. The host organisation must arrange adequate medical assistance and liability insurance coverage during the official competition period.
- 8.2. Members are responsible for providing adequate health, travel, and any other insurance for their teams.

ARTICLE 9: BANK FISHING COMPETITIONS

- 9.1. Competition waters shall be divided into Sectors identified by name, if possible, and by Roman numerals I, II, III, (IV and V). The number of sectors must correspond with the number of competitors in a team (Article 12.4. applies).

- 9.2. The beats within sectors must be numbered consecutively starting from the upstream boundary in running waters. On still waters, the beats must be numbered clockwise. There must be the same number of beats within each sector as the number of participating teams.
- 9.3. It shall be the prime objective of the Host Country to provide all competitors with equal fishing opportunities. They shall insure that no competitor is either advantaged or disadvantaged by the quality of the beat allocated. In any case, beats shall be a minimum length of two hundred metres on running waters and one hundred metres on still waters. The buffer zone of minimum ten metres must be marked between adjacent beats.
- 9.4. The beats shall be selected in the way that will provide conditions for the controllers to maintain continuous visual contact with the competitor. The controllers shall be adequately equipped for this purpose (binoculars, rubber boots or waders, safety equipment if necessary). **In case there is an island within boundaries of a beat, the controller may choose to perform his duties from the island to ensure a permanent visual contact with his/her competitor. Controller must enter the island not later than 30 minutes prior to the start of the session, making sure the fishing water is not disturbed. Controller remains on the island for the duration of the session.**
- 9.5. **The organisers are responsible for properly marking all beats on all of the sectors, and if possible, safe places for spectators to follow the competition. On still waters the beats shall be marked with the strips of a warning tape on both sides, that determine also the virtual boundary lines in a water.**
- 9.6. A competitor may only cast or fish his flies within the marked boundaries of his beat, and he must remain within the boundaries of the beat during the whole competition session. A competitor may not fish from, nor use, any form of bridge during a Competition Session.
- 9.7. If a hooked fish swims outside of the boundaries of the competitor's beat, the competitor may play the fish from inside his own beat, and it must also be landed within his beat. If a hooked fish swims into the adjacent beat, and the angler in that beat does not object, then the competitor may play the fish from inside his own beat. If the angler in the adjacent beat does object, the competitor has a maximum of five minutes to bring the fish out of the adjacent beat.
- 9.8. During a championship "bank fishing" session, wading allowed, only the competitor may enter the water within the boundaries of his beat. For safety reasons, if it's considered necessary by the controller, then the controller may enter the water for rescue. Bank fishing means that there is always contact with the ground, lake bottom or river bottom. Deliberately swimming or floating is forbidden.

ARTICLE 10: BOAT FISHING COMPETITIONS

- 10.1. There must be the same number of competitors in each boat.
- 10.2. Each competitor has the right to be in command of the boat for an equal amount of time. **The decision as to which competitor is initially in command of the boat will be decided by the toss of a coin. The odd numbered competitor in the draw will have command of the boat for the first half of the session. The even numbered competitor in the draw will have command in the second half of the session.**
- 10.3. The competitor in command of the boat may take all tactical decisions including: on which seat in the boat each competitor sits; where the boat should be positioned; and

whether a drogue is used or not. The Controller may at his discretion override any such decision for reasons of safety or of fairness to the competitor(s) in his boat.

- 10.4. Boats must be launched at least ten minutes before the start of the session to give competitors time to arrive by the start time of the session at a position from which they will commence fishing.
- 10.5. No boat may approach within fifty metres of another boat from which a competitor is at the time fishing, except for reasons of safety or necessity.
- 10.6. Competitors while fishing must be seated on the provided seats. A seat cushion may be used if desired. However, ten centimetres is the maximum thickness allowed for a seat cushion.
- 10.7. Netting of fish is the responsibility of the competitor. However, a Controller may net a fish if requested by the competitor.
- 10.8. A competitor may stand only while netting a fish. But, if the competitor has asked the Controller to net the fish, he must remain seated.
- 10.9. Rule Modifications must give more detail on how boat fishing will be conducted e.g. drifting or anchored boats; whether or not a drogue may be used; the area in which each competitor may cast his flies; the number of competitors per boat; whether or not fishing may take place while the controller is rowing; whether or not the competition area may wholly or partly be used for Official Practice; whether competition waters should be divided into five sectors or whether they may be fished by more than one group of competitors at the same time; whether boats should be required to drift with the bows to the left or right.
- 10.10 A competitor may not navigate a boat. Only the controller may man the oars and/or motor as applicable

ARTICLE 11: DURATION OF EVENTS, SCORING AND PRACTICE SESSIONS

- 11.1. At least five different scoring sessions must be provided for all FIPS-Mouche Senior, Ladies & Youth World Championships and all ~~Regional~~ Zonal Championships. At least three scoring sessions must be provided for all other championships. In all championships, competitors will have the right to fish an equal number of scoring sessions on each type of fishing.
- 11.2. Each scoring session must comprise at least three hours of fishing. If, for reasons beyond the control of the competitor, the scoring session amounts to less than the announced period, compensatory time must be allowed.
- 11.3. The hours for each competition session will be set by the host organisation and included in Rule Modifications.
- 11.4. The host organisation is required to provide practice sessions, a minimum of three hours, for each type of fishing in the competition, on similar waters, for each competitor.
- 11.5. Competitors must be allowed not less than 30 minutes of preparation time, upon arrival at his beat for each session to assemble rods, prepare leaders, etc. If, for reasons beyond the control of the competitor, the preparation time amounts to less than 30 minutes, compensatory time must be allowed even if it delays the start of the session for this competitor (Article 11.2. refers)

- 11.6. Scoring shall be recorded on the appropriate FIPS-Mouche forms provided by the International Organiser.

ARTICLE 12: WHO MAY PARTICIPATE

12.1. Any FIPS-Mouche Ordinary and/or Candidate paid-up member and any national organisation that has applied for membership of FIPS-Mouche may participate in FIPS-Mouche Senior, Youth, Ladies World championships with only ONE team. For Zonal and other Championships the second team is allowed only if it is Ladies team.

- 12.2. Teams are drawn from the membership of their national organisation, and each team member must be a citizen of his team's country
- a) A team member, who is a national of two or more countries at the same time, may represent any one of them, as he chooses. However, after having represented one country in a FIPS-Mouche event, he may not represent another country except under the conditions set forth in paragraph 2.
 - b) A team member who has represented one country in an official FIPS-Mouche competition and who wishes to represent another country of which he is also a national, may only do so when at least three years have passed since the team member last represented another country.

12.3. Participants may be:

For Senior, Ladies, Youth World Championships, and Regional Zonal Championships:

A team shall be comprised of maximum five competitors plus optionally one Reserve and/or one Captain and/or one Manager.

For all other FIPS-Mouche championships:

3 competitors is the minimum amount required to form a team

An individual.

12.4. Nobody is allowed to compete in more than 1 (one) FIPS-Mouche World Fly Fishing Championship in the same year.

12.5. Host Country may grant a participation "Wild card" (after approval of FIPS-Mouche Representative not later than at the registration deadline) to non-Member Country under the following restrictions:

- at World level max 1 (one) team, at Zonal level max 3 (three) teams allowed
- such team/s may take part at FIPS-Mouche event only once a lifetime
- Host Country shall make sure that this team/s has a sufficient knowledge of the FIPS-Mouche Competition rules and is/are adequately equipped.

ARTICLE 13: TEAM REQUIREMENTS

13.1. The names of the members of each team must be communicated to the International Organiser, at least sixty days prior to the event. A Certificate of Eligibility is required from the Member's Federation stating that each competitor complies with the conditions specified in Article 12.3. This certificate must be signed by the Member Federation President or SPOC (single point of contact) known by the General Secretary of FIPS-Mouche. The list with the names of the Presidents and SPOCs will be published on the FIPS-Mouche website. A template for the Certificate of Eligibility is provided in FIPS-Mouche Guidelines.

- 13.2. Any subsequent changes to a team must be presented to the International Organiser in writing by the team Captain or Team Manager, with an appropriately amended certificate of eligibility, at registration and before the final draw at the first Captain's Meeting. At the final draw, the team list will be locked allowing no additional changes.
- 13.3. If a team does not contain a member who can interpret and translate from and to one of the official languages, then the team should add a translator/interpreter. The translator(s), should accompany the Team Captain during competition sessions.
- 13.4. Reserves: A team may have only one designated reserve. The team member designated as the official reserve at the final draw may be substituted for a competitor. After being substituted, the original competitor may be reinstated for a subsequent session in the same group as he was originally assigned to (I.E. Groups A-E). Competitors may not change groups.
- 13.5. The Team Captain informing the International Organiser or his representative in writing using the FIPS-Mouche form and then getting final approval from the Senior FIPS-Mouche Representative may use a reserve to replace a competitor. This change request must be filed a minimum of thirty minutes prior to the start of a championship session.
- 13.6. A reserve may not fish on a sector that he has already fished in any previous session. He may do this only with the explicit authorisation of the Senior FIPS-Mouche Representative present, and only for emergency substitution of a team member. This exception to policy must be justified in writing using the FIPS-Mouche form by the Team Captain at least thirty minutes before the start of the competition session. The Team Captain must advise the competitor accordingly.

ARTICLE 14: OBLIGATIONS OF COMPETITORS

- 14.1. Participants in competitions authorised by FIPS-Mouche must respect the Competition Rules and Rule Modifications.
- 14.2. Out of courtesy to the host organisation, and any event sponsors, all team registrants are required to attend all official functions listed in the final official program.
- 14.3. It is the responsibility of each competitor to take all appropriate safety measures, including the wearing of eye protection and life preserving equipment.
- 14.4. Each team member, including the Captain/acting Captain, must wear a visible identification badge throughout every competition session. It must be supplied by the host organisation.
- 14.5. **Each competitor is required to initial /sign his scorecard after every registered catch.** Each competitor is responsible for checking the accuracy of his score card and for confirming this by signing it at the end of each session. After signature, the score card will become a final official document.
- 14.6. Each competitor must travel to and from all official events during the competition by official transport unless the permission of the Senior FIPS-Mouche Representative or the International Organiser has been obtained.
- 14.7. Any competitor who, during a competition session, requests advice (except from his Captain) relating to fishing or accepts any material help relating to fishing will be disciplined. If anyone involved with a team, other than its Captain, communicates

with a competitor during a competition session, this will be considered as a case of the competitor requesting advice relating to fishing.

- 14.8. Each competitor must observe the principles of the World Anti-Doping Code and all anti-doping regulations set-up for the Championships.
- 14.9. A competitor is always responsible and accountable for his equipment, and once a session has started, he is the only person to handle it and moving it within the boundaries of the beat during the entire competition

ARTICLE 15: TEAM CAPTAINS

- 15.1. The Team Captain is responsible and accountable for the conduct of his team members throughout the championship. The Team Captain is responsible for training his competitors on the FIPS Mouche Rules and Rule Modifications.
- 15.2. An acting Captain may be appointed by the original Captain informing the International Organiser or his representative a minimum of thirty minutes prior to the start of a championship session
- 15.3. During a championship session, a team Captain may move freely in the beats of his team members but he must not enter the water.
- 15.4. A Team Captain may enter the beat of a competitor from another team only to gain access to the beat of his own Competitor and only on condition that his presence does not disturb the waters or the activities of a Competitor from another team.
- 15.5. During a boat fishing session, the team Captain will not have access to his team member(s), nor have the right to communicate with them.
- 15.6. During a championship session, the team Captain is the only person (other than competition officials) allowed to communicate, in any way, with a Competitor. It is the responsibility of team Captains and competition officials to identify themselves to Controllers (by showing their official badge) before communicating with Competitors during a competition session.
- 15.7. During a championship session, the team Captain may not give material help to any Competitor
- 15.8. A Team Captain/Manager may also act as competitor or as a Reserve, providing he was registered for these functions before the final draw the competition.

ARTICLE 16: JURY

- 16.1. A Jury must be formed at the first Captains' Meeting.
- 16.2. The Jury will consist of:
 - a) The Senior FIPS-Mouche Representative who will be the Chairman of the Jury.
 - b) The International Organiser.
 - c) Three Representatives nominated by the FIPS-Mouche Representatives during the Captains' Meeting.
 - d) The Team Captain of the Host Country may not be nominated.
 - e) All other available members of the FIPS-Mouche Presidential Board.

ARTICLE 17: DUTIES, RESPONSIBILITIES AND POWERS OF THE JURY

17.1. It will be the duty and responsibility of the Jury to:

- Review any reports of infractions and take any appropriate action.
- Receive any formal written protest, accompanied by two hundred Euro or equivalent, and take any appropriate action.
- Report any Jury actions to the FIPS-Mouche Presidential Board.

17.2. Disciplinary measures are:

- Warning
- Censure
- Disallowing all or part of a competitor's catch
- Disqualification of a team or individual

ARTICLE 18: SECTOR JUDGES, GENERAL

18.1. In all competitions, there must be a Sector Judge for each of the sectors or groups of competitors.

18.2. The arrangements for ensuring that Sector Judges are knowledgeable, competent and conversant with these Competition Rules, and any Modifications, are to be reviewed and approved by the FIPS-Mouche Board (Article 6.2. d) refers). The organisers of a FIPS-Mouche Championship must ensure that all Sector Judges are able to speak English at a level that will enable them to discuss rules or rule violations with competitors. If a Sector Judge cannot speak English at this level, the organisers shall provide a translator for the duration of the championship, and the translator shall travel with the Sector Judge on the official transport to the sector, stay with him during every session and be available should the Sector Judge be required to speak during a dispute hearing.

ARTICLE 19: DUTIES AND RESPONSIBILITIES OF SECTOR JUDGES

19.1. Sector Judges are responsible for the proper conduct of the competition within their sector or group of competitors.

19.2. Sector Judges are responsible for supervising the training of all Controllers in their Sector and accepting only those who are properly qualified.

19.3. Sector Judges are responsible for the supervision of their Controllers to ensure that they are keeping accurate records and are enforcing the observance of the Competition Rules and Rule Modifications.

19.4. Sector Judges are responsible for assisting Controllers in rule interpretation, if there is any doubt about a possible infraction of the Rules or the Rule Modifications. If the Sector Judge has difficulty with rule interpretation, he shall ask the International Organiser or the **International Supervisor present at the sector** for advice.

19.5. Sector Judges are responsible for supervising the recording of suspected rule infractions and reporting them to the International Organiser. In the event of a formal protest, the Sector Judge involved is required to assist the Jury by presenting the gathered information, to resolve the protest.

- 19.6. Sector Judges are responsible for ensuring that no person, other than the Team Captain, has access to competitors during competition sessions. All observers should be kept well away so that they do not interfere or communicate with competitors.
- 19.7. Sector Judges may have other duties assigned to them by the International Organiser, if approved by the Senior FIPS-Mouche Representative.

ARTICLE 20: CONTROLLERS

- 20.1. Controllers will be responsible for only one Competitor during bank fishing sessions and not more than 2 Competitors during boat fishing sessions during a championship.
- 20.2. Controllers will be responsible and accountable for accurately recording on the competitor's scorecard (FIPS-Mouche approved template shall be used) details of each eligible fish, including the length to the nearest millimetre and the time of capture. The Controller must cross out all unused portions of the scorecard at the end of the session. He must ensure that the Competitor signs the scorecard at the end of the session. After a signature by the Competitor, the original of the scorecard will be given to the Sector Judge and the duplicate given to the Competitor. A duplicate, self-copying form shall be provided by the Organisers and used by the controller
- 20.3. A Controller must measure each fish handed to him by the Competitor, and he does not have the authority to release a fish before measurement
- 20.4. In case of a dispute, the Controller must keep material evidence for presentation concerning (size, species, etc.) eligibility. A dispute regarding a fish must be recorded on the Competitor's scorecard.
- 20.5. Controllers are not allowed to enter the water during a bank fishing competition session (Article 9.4. refers). Exceptions to this rule are possible, but must be justified.
- 20.6. Controllers are responsible for warning competitors for any violation of the Competition Rules and their Modifications. A verbal warning must be the first course of action, except for serious violations or repeated offenses. Controllers must record (in writing) any serious infraction of the Competition Rules or Rule Modifications and report this information to their Sector Judge immediately, but not later than after the session has ended. The Controller should record a rule infraction on the Competitor's scorecard if possible or a separate piece of paper.
- 20.7. Controllers may have other duties assigned to them by the International Organiser or by the Sector Judge, if approved by the Senior FIPS-Mouche Representative.
- 20.8. The arrangements for ensuring that controllers are knowledgeable, competent and conversant with these Competition Rules, and any Rule Modifications, are to be reviewed and approved by the FIPS-Mouche Board.
- 20.9. Controllers must be provided with a checklist stating the task they are required to perform ("best practice" document included in FIPS-Mouche Guidelines shall be used). Controllers should at least perform following checks: accreditation badge of competitor, rod length, leader length, fly line diameter, level or tapered down leaders, distance between knots on leaders, distance between flies, no additions on line or leader, correct use of droppers, no barbs on hooks, flies fit to gauge, landing nets.

ARTICLE 21: FIPS-MOUCHE INTERNATIONAL SUPERVISORS

- 21.1. The FIPS-Mouche Board shall provide FIPS-Mouche International Supervisors for all championships. There will be one International Supervisor allocated to each group of competitors during all competition sessions.
- 21.2. The International Supervisors will supervise the controllers of the Host Country competitors during bank fishing sessions. They may also perform other services, delegated to them by the Senior Representative of FIPS-Mouche and, after approval of the Senior Representative of FIPS-Mouche, by the International Organiser.
- 21.3. The specific duty of the International Supervisors will be to carry the results of the draw for beats/boats in a confidential way, and to reveal it appropriately to the group of competitors upon arrival at the competition sector. (Article 22.4. e) refers)
- 21.4. All in-country cost related to the presence and activities of the International Supervisors for the whole duration of the official program of the championship will be included in the budget of the championship.

ARTICLE 22: RANDOM DRAW PROCESS AND ASSIGNMENT OF BEATS AND BOATS

- 22.1. Before the assignment of beats to competitors, all beats and buffer zones must be clearly defined (if possible by GPS coordinates) and should not be altered during the competition.
- 22.2. The Computer Draw for beat assignment: The FIPS-Mouche computer program, on the secure computer, shall be used to determine the beats/boat numbers assigned to each competitor. The beat of each competitor must be determined by the random draw computer program. Once checked by the Senior FIPS-Mouche Representative, this draw will be locked and secured. The random draw is designed to ensure that anglers from the same team will not fish any beat in any sector more than once, nor, if mathematically possible, an adjoining beat.
- 22.3. The random draw for boat assignment for each competitor must be decided by a the computerized draw, which must minimize the frequency, ideally to nil, with which competitors from the same country will fish (throughout the sessions during the competition) in the same “boat number” during the championship.
- 22.4. The random draw at the Captains’ Meeting:
 - a) At the Captain’s Meeting each Captain shall draw a “Country Number” and a “Group Letter” (colour coded) for each competitor: “A, B, C, D, E”. (A=yellow, B=red, C= Green, D= blue and E=purple)
A Group list for each Group shall be given to each Captain immediately after the meeting. Once checked by the Senior FIPS-Mouche Representative this draw will be locked and secured.
 - b) First, the Captain of each team will draw a number to select the team number for the country.
 - c) Then each Captain will draw a Group letter: “A, B, C, (D or E)” to assign each of the team members to a Group, who will then fish together in each sector and form the basis for placings. Other methods of completing the random draw are acceptable if authorised by the Senior FIPS-Mouche Representative.

- d) The beat/boat assignment numbers will be kept confidential before the competition sessions, and sealed in the envelopes held by the Senior FIPS-Mouche Representative or his designate.
- e) These envelopes will be then carried by the International Supervisors travelling with their respective groups to the sectors.
- f) The beat/boat assignment numbers will be announced only upon arrival at the sectors by the Sector Judge, his designated representative or the FIPS-Mouche International Supervisor.

ARTICLE 23: CARE OF FISH CAUGHT

- 23.1. If a Competitor wishes a fish to score, he must land it in a net, **immediately transport a netted fish submerged (where possible)** and pass it in the net to the Controller **for assessment of eligibility**, measurement and recording (Article 20.2. refers). ~~If a competitor has netted the fish he must bring it immediately to the controller for assessment of eligibility and for measurement.~~ Once a fish was netted the competitor may not handle it in any way, nor alter the equipment used for capture of this fish. In case the competitor does not follow this Article 23.1. his fish will be registered as invalid catch. ~~During the transport of the fish to the controller the competitor must keep the fish submerged (where possible) when he is travelling through the water.~~
- 23.2. The Controller is responsible for removing the hook, reviving the fish and releasing the fish and shall take care not to damage the fish in any way. If a fish is hooked in such way that it cannot be easily and safely unhooked, the leader shall be cut as close as is practical to the fish, leaving the hook in the fish. The controller shall then release the fish with the least harm possible.
- 23.3. When the Controller is not able to release the fish in the normal way e.g. due to their inability to access the water, the Controller may (for the benefit of the fish) authorise the competitor to release the fish in a suitable place as indicated by the Controller.
- 23.4. If a controller or any other competition official determines that a competitor has negligently injured a fish, that fish will not be scored and the competitor will be penalised the number of points attributable to a fish of minimum valid length. The incident must be reported to the Jury for consideration of further action.

ARTICLE 24: COMPETITION BOATS

- 24.1. Competition boats must be of equal size, design, structure and power. Boats used during the championships must be of appropriate stability, allowing for safe fishing and safe changing of seats between Competitor(s) and or the Controller sitting at the motor if applicable. Local (national) safety regulations of the Host Country shall apply and shall be part of the Rule Modifications as applicable. The number of occupants in each boat must not exceed the rated boat capacity.
- 24.2. Boats must carry life preservers/personal flotation devices (PFDs) for each occupant and a means of signalling/calling for help in case of emergency.
- 24.3. When the use of drogues is allowed in the Rule Modifications, the host organisation must provide identical drogues for each boat. Should a drogue be lost or become unserviceable, a Competitor's drogue may be substituted.

ARTICLE 25: ELIGIBLE FISH

- 25.1. Eligible fish species and size limits (**minimum 20 cm**) must be specified in the Rule Modifications. For measuring purposes, the length will be from the tip of the nose to whichever part of the tail is specified in the Rule Modifications.
- 25.2. Only fish hooked in the mouth area, i.e. in front of the rear edge of the gill cover, will be eligible.
- 25.3. A fish hooked inside a competition session is eligible if it is landed not more than ten minutes after the end of the session.
- 25.4. For a fish to be eligible, it must also be properly cared for and unharmed by the Competitor.

ARTICLE 26: COMPETITION FLY RODS

- 26.1. One conventional fly rod, not more than twelve feet/three hundred and sixty-six centimetres in length, may be used at one time. Competitors may have spare fly rods with them (carried on their body or bank side assembled), as long as only one line is in the water. However, when boat fishing, these must not be assembled nor the reel attached.
- 26.2. Competitors are responsible for carrying and protecting their own equipment during the competition sessions.

ARTICLE 27: COMPETITION FLY LINES

- 27.1. Any factory made floating, sinking or sink tip Fly Line may be used, except for lead core lines. Every fly line used in a FIPS-Mouche competition shall have a minimum coated diameter of 0,55 mm (0.22"). Only fly lines meeting this requirement are authorised for use in FIPS-Mouche competitions (not to fit in the 0,53 mm slot in the gauge).
- 27.2. Competition fly lines must be a minimum length of twenty-two metres.
- 27.3. Shooting heads are not allowed.
- 27.4. Neither sinking nor floating devices may be added to fly lines.
- 27.5. One single loop is allowed at the end of the fly line, if desired. If a braided or monofilament loop is used to connect the leader to the fly line, the maximum overall length of such a connector may not exceed 10 cm.

ARTICLE 28: COMPETITION LEADERS

- 28.1. A single monofilament or poly leader, tippet included, may be used, with a maximum total length of twice the length of the rod used.
- 28.2. Leaders may be knotted or knotless, and continuously tapered down or level. A single loop of max. 10 cm length may only be used to connect a leader to a fly line. If the leader is knotted, the minimum distance between the knots is 30 cm, hanging freely.
- 28.3. Neither sinking nor floating devices may be added to the leader

28.4. A maximum of 3 micro rings (leader rings) of a maximum outer diameter of 3 mm can be used. A maximum of 3 knots can be joined at a micro ring, they are considered as 1 knot.

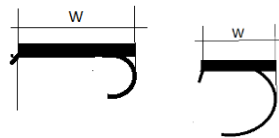
28.5. A dropper is an equal or smaller diameter monofilament side line to the leader used solely to attach a second or third fly other than the point fly. Only droppers may only be used to attach flies whenever more than 1 fly is used by the competitor during that competition. Unused droppers are not allowed. Should a fish break off one of the flies (snagging or double take) during drill of the fish this should be seen as “within the rules” and the catch should be registered if eligible.

ARTICLE 29: COMPETITION FLIES

29.1. Competitors may use floating or sinking artificial flies

29.2. All hooks must be connected directly to the leader/tippet/dropper.

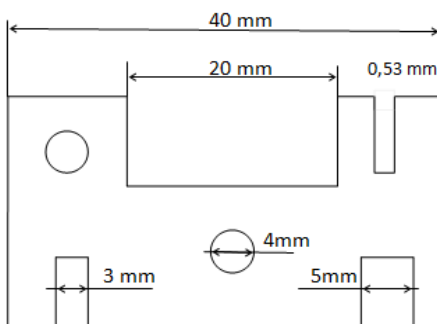
Weighted flies are permitted, provided the weight which must be hidden within the dressing and may not exceed the bend or eye of the hook. The maximum length of added weight (w) is the distance from the eye of the hook to the farthest point of the bend in the hook.



A single visible bead, not more than 4 mm maximum dimension, is also permitted. Painting alone does not constitute dressing.

29.3. If one fly is used, the length and width of the dressed fly will be at the discretion of the competitor (Articles 29.2. & 0apply).

29.4. If more than 1 fly is used, all weighted flies must comply with the measuring gauge, as demonstrated in the following diagram:



If the hook length fits within the 20 mm horizontal slot, then the maximum body thickness must fit in the 5 mm vertical slot.

The 4 mm round/circular hole is the maximal diameter allowed for a bead

If the hook length is longer than the 20 mm horizontal slot, then the body thickness must fit between the 3 mm vertical slot.

The maximum hook length cannot be longer than 40 mm, the horizontal length of the gauge at its longest part.

Line diameter will be tested in the 0,53 mm slot. The fly line may not fit in.

29.5. A maximum of three flies is permitted which must not be closer to each other than fifty cm, measured eye to eye, hanging freely. The number of flies allowed will be specified in Rule Modifications.

29.6. All flies must be attached to the leader in such a way that neither they nor their droppers move or slide along the leader material.

- 29.7. All flies must be dressed on barbless single hooks, tandem flies are not allowed.
- 29.8. If the equipment used and/or flies used are assessed by the controller as repeatedly causing excessive harm to the fish, the use of such flies/equipment may be disallowed by the Controller (after agreement by the Sector Judge or IS).
- 29.9. Attractor chemicals and the use of light emitters in flies is forbidden.
- 29.10. Appendages that alter the original concept of an artificial fly or bodies made of moulded/shaped plastic, moulded/shaped silicone or moulded/shaped rubber are banned (moulded/shaped imitations of worms, eggs, baitfish, maggots, twisters...). Rubber or extruded round material, exceeding the bend, shank or eye of the hook is not allowed with exception of maximal diameter 0,53 mm used for leg imitations (diameter shall be checked with measuring gauge unstretched).

ARTICLE 30: LANDING NETS

- 30.1. The mesh material of a landing net must be rubber/silicon (preferred) or a non-abrasive synthetic or soft cotton material. Nets must now be of knotless construction.
- 30.2. Landing nets must not exceed forty-eight inches/one hundred and twenty-two centimetres in overall length, when fully extended.

ARTICLE 31: PROHIBITIONS

- 31.1. The following are prohibited:
- a) The fishing of competition sectors by competitors or their agents during a period of sixty days prior to the official start of the event.
 - b) Any involvement of the International Organiser in the management of the Host Country team, and vice versa, for a minimum period commencing 60 days before the championship until its conclusion.
 - c) Unethical, rude behaviour, lack of sportsmanship towards other competitors, organisers or officials.
 - d) Any action by competitors, organisers or officials that would produce fraudulent or biased results.
 - e) ~~The use of still or video cameras to film beats and/or the competitors of other countries to provide information for a team, during the whole Championship.~~
 - f) The use of cell phones, radio or any other electronic communication methods by **controllers** during a competition session, except on request of the competitor to solve disputes on rules or for safety reasons.
 - g) ~~The use by a team member~~ of cell phones, radio or any other electronic communication methods by **competitor** during a competition session to relay team information. ~~This includes ALL team members, including the Captain, the reserve and Manager.~~
 - h) A competitor, during a competition session, requesting advice relating to fishing from anyone (other than his Captain).

- i) A competitor accepting material help relating to fishing from anyone.
- j) The use by a team member of a fish/depth finder during a championship.
- k) Use of any prohibited substance(s) constituting doping, according to the anti-doping regulations.

ARTICLE 32: LOST FISH

- 32.1. In the event of the loss of a fish by a controller before measurement, the competitor will be awarded the average of the points for all valid fish caught in that sector in that session.
- 32.2. A fish lost in boat fishing while the controller is netting the fish, at the competitor's request, will not be recorded on a competitor's scorecard nor awarded any points.

ARTICLE 33: AWARDING OF POINTS

- 33.1. For each eligible fish caught, a competitor will score one hundred points.
- 33.2. In addition to Article 32.1. , competitors will also receive twenty points per centimetre length of each eligible fish. The recorded length will be rounded up to the next complete centimetre for scoring purposes
- 33.3. An under-sized fish (under the eligible size limit) is not eligible to be scored and should not be recorded on a competitor's scorecard.

ARTICLE 34: SESSION PLACINGS

- 34.1. All competitors will receive a placing in their group according to the points they obtain on each sector and for each session of a championship.
- 34.2. A competitor who fails to make a valid catch in any session will be awarded a placing equal to the number of competitors in the sector for that session. The same placing will be awarded to any competitor who fails to participate for any reason.
- 34.3. A competitor who is forced to retire for any reason from a session of a championship shall have his catch scored up to that time of departure included in the results. His scorecard needs to be documented at time of departure and signed.
- 34.4. Any incomplete team will be awarded a placing equal to the number of teams in a sector for each session for which a team member is absent.
- 34.5. If there is a tie between competitors in the same sector and session in the number of points received, the tiebreaker will be the largest number of valid fish caught. If the tie persists, the competitors will receive equal placings and the placing(s) immediately following will be left blank.

ARTICLE 35: TEAM AND INDIVIDUAL POSITIONS

- 35.1. The positions of teams and individuals will be determined as follows:

Teams: The first position will be awarded to the team with the lowest cumulative number of placings of all its team members, and similarly for all other positions.

Individuals: The first position will be awarded to the individual with the lowest cumulative number of placings, and similarly for all other positions.

- 35.2. A reserve who fishes any sector more than once will not be eligible to be awarded any individual place/position within a championship, although his placings will be included in the calculation of team results.
- 35.3. If there is a tie for positions between teams or individuals, the first tiebreaker will be the largest number of points received, the second will be the largest number of valid fish caught, and the third will be the largest fish.
- 35.4. If the tie persists, the tied teams or individuals will be awarded equal positions and the position(s) immediately following will be blank.

ARTICLE 36: POSTING OF RESULTS

- 36.1. The International Organiser must announce, at the first Captains' Meeting, the location for the posting of results.
- 36.2. At the end of each session, after the results /scorecards have been given to the Senior FIPS-Mouche Representative, the session results (including individual and team positions), will be posted within three hours.
- 36.3. At the end of the day, after all of the day's results /scorecards have been given to the Senior FIPS-Mouche Representative, the daily and cumulative results for both individuals and teams will be posted within three hours.
- 36.4. At the close of the final session, the final results for both individual and team positions will be posted within three hours after the results /scorecards have been given to the Senior FIPS-Mouche Representative.
- 36.5. A delay in the posting of results may occur in the event of an unresolved dispute/protest during a particular session(s). In such a case, resolution will occur as soon as possible. A possible change in previous score postings may occur after resolution.

ARTICLE 37: POSTED RESULTS AND OBJECTIONS

- 37.1. The results from both sessions of a competition day (after posting in the evening) will become final on the following day at 09:00 in the morning, with the exception of an unresolved dispute/protest. The results of the last competition session and final results of the Championship will become final 2 hours after posting.
- 37.2. The time of posting must be clearly marked on the result sheets.
- 37.3. It is the responsibility of team Captains to inspect the posted results.
- 37.4. If there are no objections, which are subsequently sustained, within the provisional period, the posted results will stand as final.

- 37.5. It is the responsibility of team Captains to notify the Senior FIPS-Mouche Representative or the International Organiser of any discrepancy in the posted results, immediately after the discovery within the provisional period.
- 37.6. Only those objections made during the provisional period will be considered by the Jury in rectifying the results. After adjustment (if any) and before posting, the official results must be signed by the Senior FIPS-Mouche Representative and the International Organiser.

ARTICLE 38: FORMAL PROTESTS

- 38.1. A formal protest may be made by a competition official, a team or a FIPS-Mouche Representative regarding violations of the Competition Rules, the Rule Modifications, or the FIPS-Mouche Statutes.
- 38.2. A formal protest must be in writing.
- 38.3. A formal protest must be made to the Senior FIPS-Mouche Representative, or the International Organiser, within two hours after the official posting of the results of the final session of the day, on the day involved.
- 38.4. A formal protest on behalf of a team must be made by the team Captain or Manager.
- 38.5. A formal protest from a team must be accompanied by a deposit of two hundred Euros or its equivalent. If the protest is upheld, the deposit will be returned; otherwise it is forfeited to FIPS-Mouche funds.

ARTICLE 39: TITLES AND TROPHIES

- 39.1. The team awarded first place will be designated the Team World Champion or the Team Champion of that particular Championship if it is not a World Championship.
- 39.2. For any championship, only one awards ceremony is authorised and permitted, and it will be at the final/Closing Ceremony. No other types of presentations will be allowed announcing the winners of the Championship. The Team World Champion or Team Champion will receive any trophy so designated for presentation at this ceremony.
- 39.3. At the Closing Ceremony, the competitors, reserve, Manager and Captain of the team awarded first, second and third place positions will receive gold, silver and bronze medals respectively.
- 39.4. The individual competitor awarded first place will be designated the Individual World Champion or the Individual Champion of that particular Championship if it is not a World Championship.
- 39.5. The Individual World Champion or Individual Champion will receive any trophy so designated.
- 39.6. At the Closing Ceremony, the individual competitors awarded first, second and third place positions will receive gold, silver and bronze medals respectively.
- 39.7. There will be no monetary or substantial material prizes awarded as part of any FIPS-Mouche authorised Championship.

ARTICLE 40: ANTI-DOPING REGULATIONS

- 40.1. Anti-doping regulations and testing will be developed and conducted by the Host Country of the Championship, in line with the World Anti-Doping Code set up by the World Anti-Doping Agency (WADA), according to the laws, regulations, principles and practices adopted by the National Sport Authorities and the National Olympic Committee.
- 40.2. All anti-doping regulation(s) and special procedures of execution, if applicable, will be included in the Rule Modifications for that championship
- 40.3. All anti-doping testing, if applicable, must be funded from the resources outside of the championship's budget.

ARTICLE 41: LANGUAGE OF THE ORIGINAL TEXT

- 41.1. The language of the original text of these rules is English.
- 41.2. The Competition Rules must be available in all official languages.
- 41.3. Any clarifications or misunderstandings are to be resolved by reference to the original text

ARTICLE 42: STATEMENT OF APPROVAL

- 42.1. The original FIPS-Mouche Competition Rules were approved at the time of the founding of FIPS-Mouche as part of CIPS in San Marino in 1989 and have been subsequently modified and approved by the FIPS-Mouche General Assembly, as follows:

in Bordeaux, France, in April 1991
in Dublin, Ireland, in April 1993
in Dresden, Germany, in May 1995
in Luxembourg, in May 1997
in Poreč, Croatia, in May 1999
in Valladolid, Spain, in May 2001.
in Locarno, Switzerland, in April 2003
in Palermo, Italy, in May 2005
in Prague, Czech Republic, in May 2007
in Dresden, Germany, in April 2009
in Rome, Italy, in April 2011
in Lisbon, Portugal, in April 2013
in San Marino, in April 2014 (clarifications)
in Cancun, Mexico, in April 2015
in Prague, Czech Republic, in April 2017
in Almaty, Kazakhstan, in May 2019